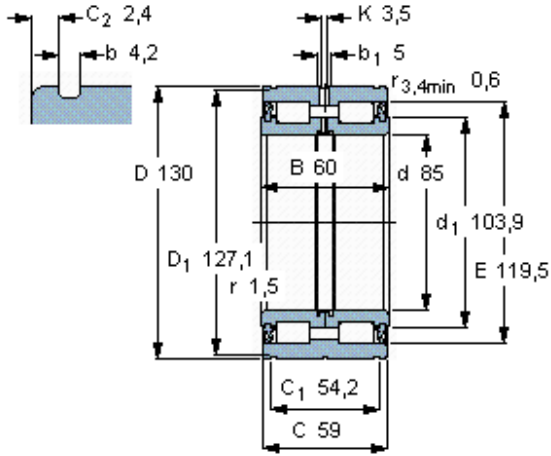


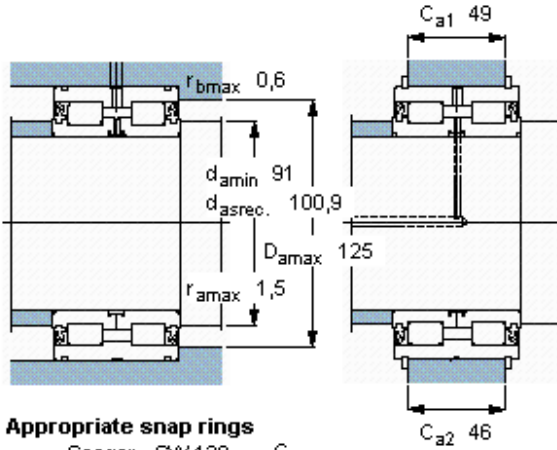
Cylindrical roller bearings, double row full complement

Principal dimensions			Basic load ratings		Speed ratings		Designation
d	D	B	dynamic C	static C0	Reference speed	Limiting speed	
mm			kN		r/min		-
85	130	60	224	365	-	1000	NNF 5017 ADB-2LSV



Calculation factor

k_r 0,4



Appropriate snap rings

Seeger SW 130 C_{a1}
 DIN 471 130x4 C_{a2}